

**SEALS+DIRECT**



DESCRIPTION  
BLACK SELF ADHESIVE T FOOT BUBBLE SEAL



ORIGINATOR  
GTM

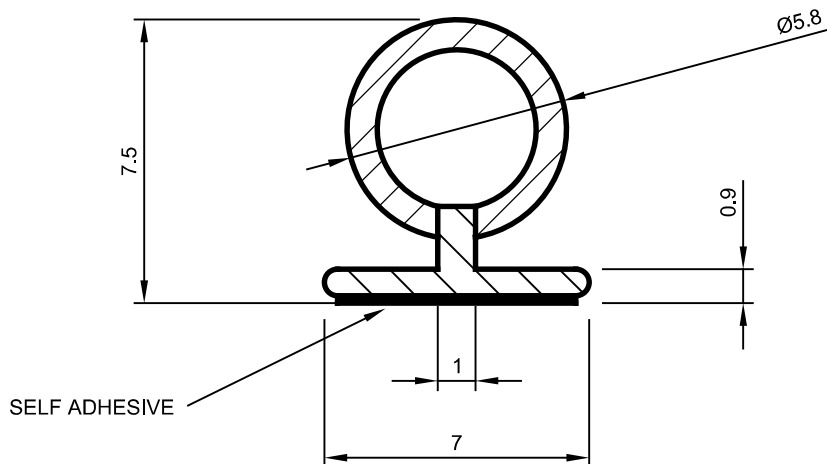
CREATED DATE  
20.03.26

ORDER CODE  
**TFS 5033**

ISSUE	CR	APP	DATE
1		PJH	20.03.26



ACTUAL SIZE



MATERIAL  
POLYPROPYLENE AND  
SILPEX (TPE)

NOTES  
1. SOLD BY THE METRE OR COIL  
2. COIL LENGTH 50 METRES  
3. WEIGHT 52 GRAMS PER METRE  
4. THIS IS A FLEXIBLE COMPONENT THEREFORE  
OVERALL DIMENSIONS ARE APPROXIMATE

**Seals + Direct Ltd**  
Unit 6, Milton Business Centre, Wick Drive  
New Milton, Hampshire, BH25 6RH, UK  
Tel: 01425 617722 Web: sealsdirect.co.uk  
Email: sales@sealsplusdirect.co.uk Reg. No 4989100

This information and our technical advice, whether verbal, in writing or by way of trials, is given in good faith but without warranty. This also applies where proprietary rights are involved. Our advice does not release you from the obligations to check its validity and to test our products as to their suitability for the intended use. The storage, application and use of our products are beyond our control and, therefore, entirely your own responsibility. Our products are sold in accordance with our General Conditions of Sale. The information contained within this drawing is subject to change without notice.

SCALE (UOS)  
5:1  
© SEALS + DIRECT LTD  
DIMENSIONS IN MM  
TOLERANCE (UOS)  
ISO 3302-1:2014 CLASS E3  
PAGE  
1 of 1