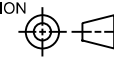


**SEALS+DIRECT**

DESCRIPTION  
RUNNING BOARD TREAD

PROJECTION



ORIGINATOR

CJM

CREATED DATE

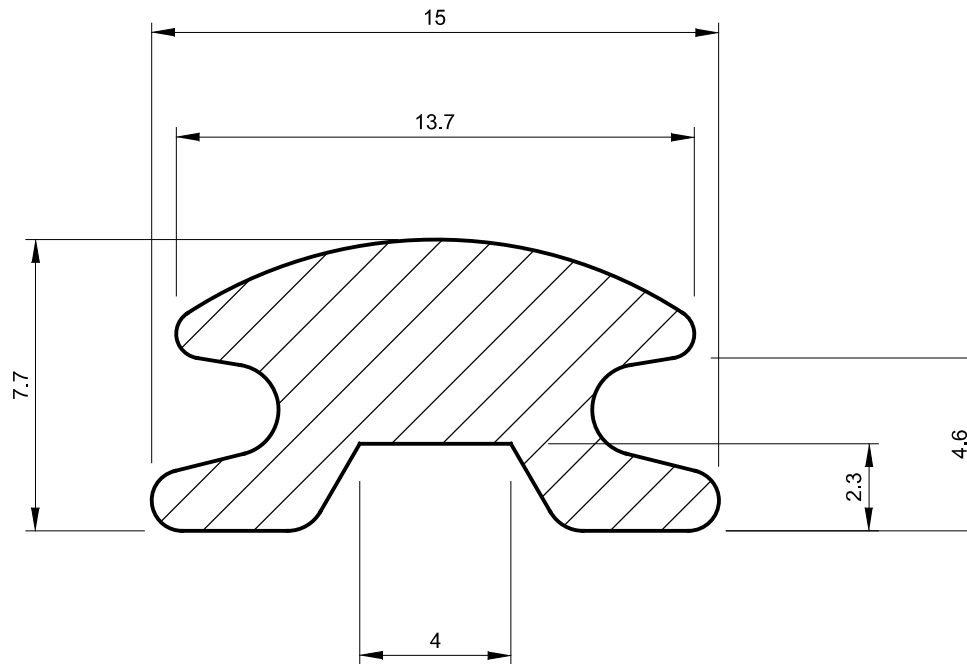
03.12.24

ORDER CODE

**RBT 2013FC**



ACTUAL SIZE



| ISSUE | CR   | APP | DATE     |
|-------|------|-----|----------|
| 1     | ---- | PJH | 03.12.24 |

MATERIAL  
BLACK EPDM 70° SHORE A

NOTES  
1. SOLD AS A COIL  
2. COIL LENGTH 30 METRES  
3. WEIGHT 124 GRAMS PER METRE  
4. THIS IS A FLEXIBLE COMPONENT THEREFORE OVERALL DIMENSIONS ARE APPROXIMATE

**Seals + Direct Ltd**  
Unit 6, Milton Business Centre, Wick Drive  
New Milton, Hampshire, BH25 6RH, UK  
Tel: 01425 617722 Web: sealsdirect.co.uk  
Email: sales@sealsplusdirect.co.uk Reg. No 4989100

This information and our technical advice, whether verbal, in writing or by way of trials, is given in good faith but without warranty. This also applies where proprietary rights are involved. Our advice does not release you from the obligations to check its validity and to test our products as to their suitability for the intended use. The storage, application and use of our products are beyond our control and, therefore, entirely your own responsibility. Our products are sold in accordance with our General Conditions of Sale. The information contained within this drawing is subject to change without notice.

|   |                      |
|---|----------------------|
| SCALE (UOS)<br>5:1                          | © SEALS + DIRECT LTD |
| TOLERANCE (UOS)<br>ISO 3302-1:2014 CLASS E3 | DIMENSIONS IN MM     |
|   | PAGE<br>1 of 1       |