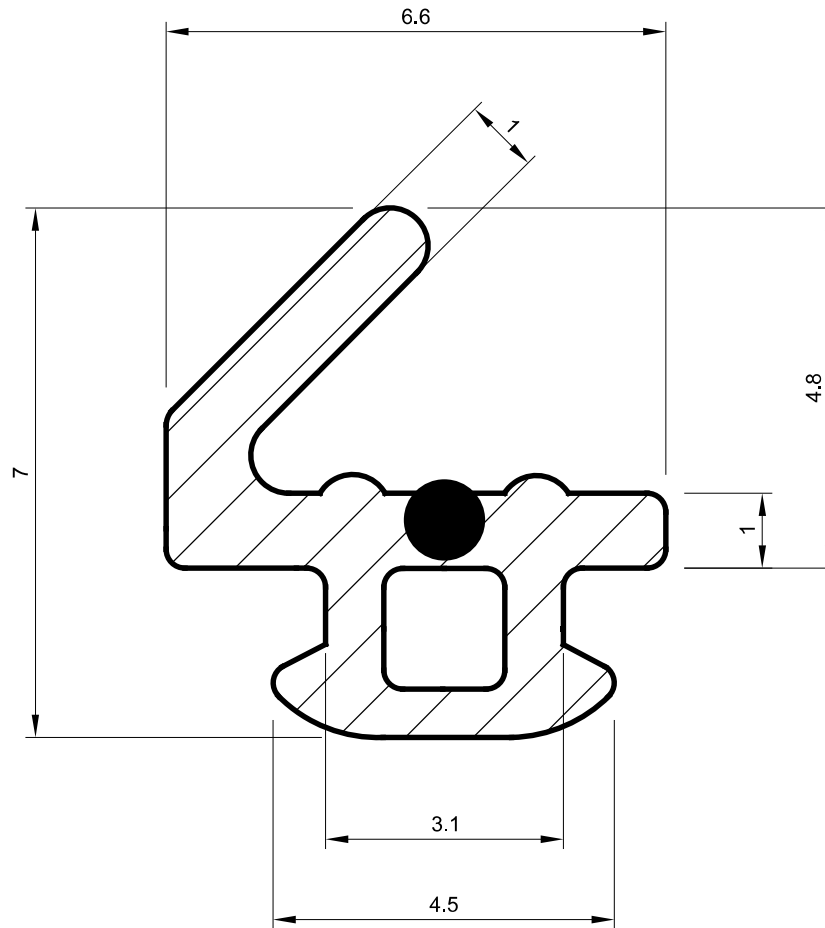


ISSUE	CR	APP	DATE
1	0001	PJH	29.10.24

ACTUAL SIZE



MATERIAL
BLACK TPS-SBS/SEBS 55°
SHORE A

SMARTS OEM PART NO. ACVL032

NOTES

- SOLD BY THE METRE OR BUCKET
- COIL LENGTH 400 METRES
- WEIGHT 30 GRAMS PER METRE
- THIS IS A FLEXIBLE COMPONENT THEREFORE OVERALL DIMENSIONS ARE APPROXIMATE

Seals + Direct Ltd
Unit 6, Milton Business Centre, Wick Drive
New Milton, Hampshire, BH25 6RH, UK
Tel: 01425 617722 Web: sealsdirect.co.uk
Email: sales@sealsplusdirect.co.uk Reg. No 4989100

This information and our technical advice, whether verbal, in writing or by way of trials, is given in good faith but without warranty. This also applies where proprietary rights are involved. Our advice does not release you from the obligations to check its validity and to test our products as to their suitability for the intended use. The storage, application and use of our products are beyond our control and, therefore, entirely your own responsibility. Our products are sold in accordance with our General Conditions of Sale. The information contained within this drawing is subject to change without notice.

SCALE (UOS)
10:1

© SEALS + DIRECT LTD
DIMENSIONS IN MM

TOLERANCE (UOS)
ISO 3302-1:2014 CLASS E3

PAGE
1 of 1