

SEALS+DIRECT

DESCRIPTION
JAGUAR XK TYPE BOOT SEAL

PROJECTION

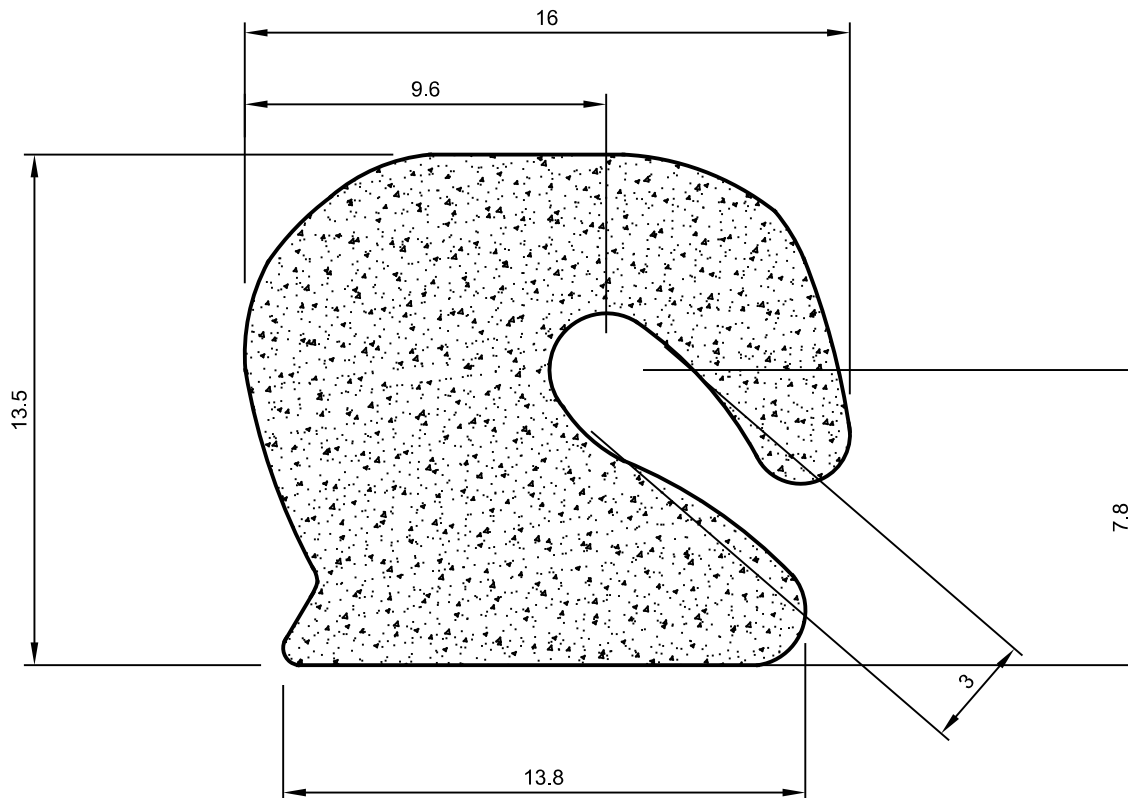
ORIGINATOR
GTM

CREATED DATE
20.09.24

ORDER CODE
SRS 1909



ACTUAL SIZE



| ISSUE | CR | APP | DATE |
|-------|------|-----|----------|
| 1 | 0003 | PJH | 20.09.24 |

MATERIAL
BLACK EXPANDED EPDM
SPONGE

NOTES
1. SOLD BY THE METRE OR COIL
2. COIL LENGTH 50 METRES
3. WEIGHT 102 GRAMS PER METRE
4. THIS IS A FLEXIBLE COMPONENT THEREFORE
OVERALL DIMENSIONS ARE APPROXIMATE

Seals + Direct Ltd
Unit 6, Milton Business Centre, Wick Drive
New Milton, Hampshire, BH25 6RH, UK
Tel: 01425 617722 Web: sealsdirect.co.uk
Email: sales@sealsplusdirect.co.uk Reg. No 4989100

This information and our technical advice, whether verbal, in writing or by way of trials, is given in good faith but without warranty. This also applies where proprietary rights are involved. Our advice does not release you from the obligations to check its validity and to test our products as to their suitability for the intended use. The storage, application and use of our products are beyond our control and, therefore, entirely your own responsibility. Our products are sold in accordance with our General Conditions of Sale. The information contained within this drawing is subject to change without notice.

SCALE (UOS)
5:1
TOLERANCE (UOS)
ISO 3302-1:2014 CLASS E3
© SEALS + DIRECT LTD
DIMENSIONS IN MM
PAGE
1 of 1