

DESCRIPTION

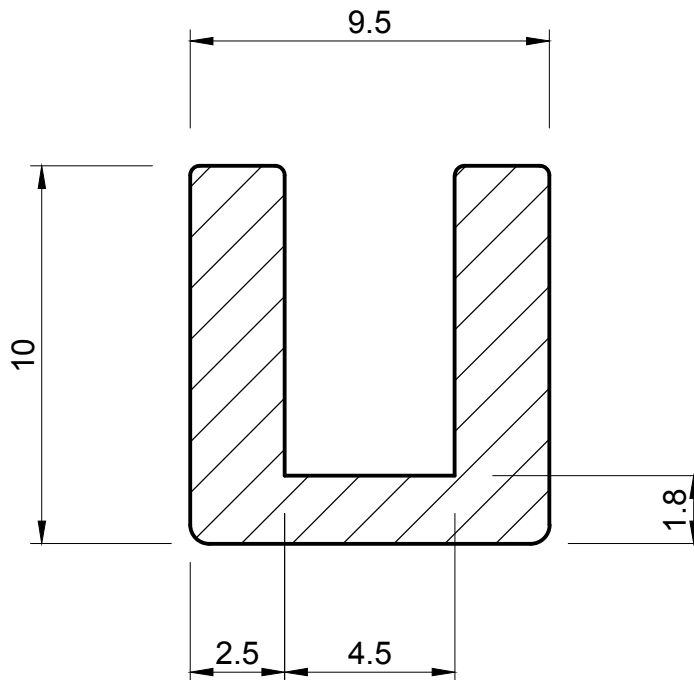
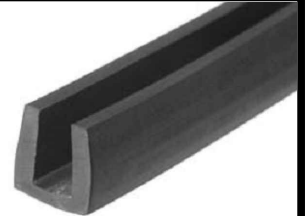
SOLID EPDM SQUARE U CHANNEL SECTION

ORDER CODE

US 158



ACTUAL SIZE



NOTE:

1. SOLD BY THE METRE OR COIL
2. COIL LENGTH 50 METRES
3. WEIGHT 75 GRAMS PER METRE
4. TO FIT A PANEL THICKNESS OF 4.5MM
5. THIS IS A FLEXIBLE COMPONENT THEREFORE OVERALL DIMENSIONS ARE APPROXIMATE

MATERIAL (REFER TO OUR DATA SHEET FOR FULL TECHNICAL DATA)

BLACK EPDM 65° SHORE A

TOLERANCE

TO BS 3734 CLASS E3

ISSUE DATE

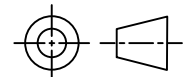
07.11.16

Seals + Direct Ltd

SCALE

5 : 1

PROJECTION



Unit 6, Milton Business Centre, Wick Drive, New Milton, Hants, BH25 6RH
Tel: 01425 617722 **Fax:** 01425 610967 **E-mail:** sales@sealsplusdirect.co.uk

Reg. No 4989100

DIMENSIONS IN MM

This information and our technical advice, whether verbal, in writing or by way of trials, is given in good faith but without warranty. This also applies where proprietary rights are involved. Our advice does not release you from the obligations to check its validity and to test our products as to their suitability for the intended use. The storage, application and use of our products are beyond our control and, therefore, entirely your own responsibility. Our products are sold in accordance with our General Conditions of Sale. The information contained within this drawing is subject to change without notice.

©SEALS + DIRECT LTD