

SEALS+DIRECT

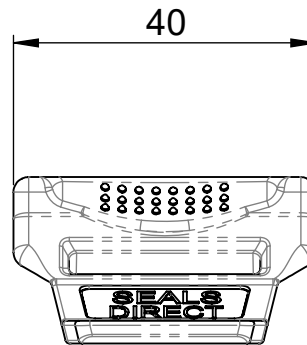
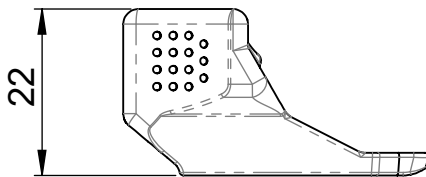
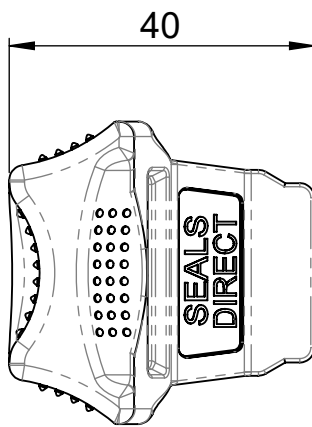
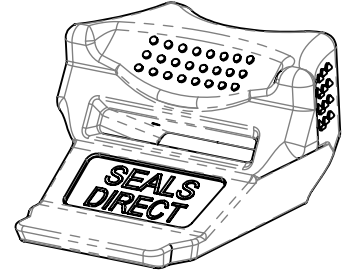
www.sealsdirect.co.uk

DESCRIPTION

CARAVAN COVER STRIP FITTING TOOL

ORDER CODE

CST5015



© 2022 SEALS + DIRECT LTD. ALL RIGHTS RESERVED. THIS ITEM HAS BEEN DESIGNED AND IS ALSO MANUFACTURED BY SEALS + DIRECT LTD AND THEREFORE ANY FORM OF COPYING IS STRICTLY PROHIBITED AND WE RESERVE THE RIGHT TO TAKE LEGAL ACTION SHOULD THERE BE ANY INFRINGEMENT

MATERIAL (REFER TO OUR DATA SHEET FOR FULL TECHNICAL DATA)
RIGID TOUGH PLASTIC

TOLERANCE

ISSUE DATE

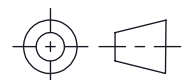
10/03/22

Seals + Direct Ltd

SCALE 1:1

Unit 6, Milton Business Centre, Wick Drive, New Milton, Hants, BH25 6RH
Tel: 01425 617722 Fax: 01425 610967 E-mail: sales@sealsplusdirect.co.uk

PROJECTION



Reg. No 4989100

This information and our technical advice, whether verbal, in writing or by way of trials, is given in good faith but without warranty. This also applies where proprietary rights are involved. Our advice does not release you from the obligations to check its validity and to test our products as to their suitability for the intended use. The storage, application and use of our products are beyond our control and, therefore, entirely your own responsibility. Our products are sold in accordance with our General Conditions of Sale. The information contained within this drawing is subject to change without notice.

DIMENSIONS IN MM

© SEALS + DIRECT LTD