

SEALS+DIRECT

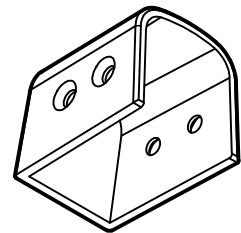
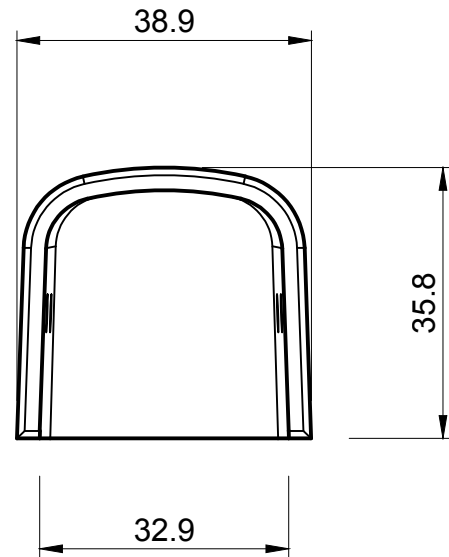
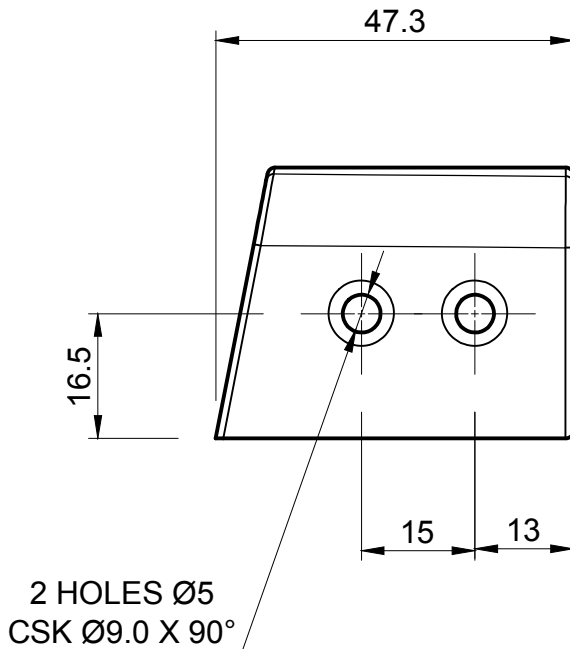
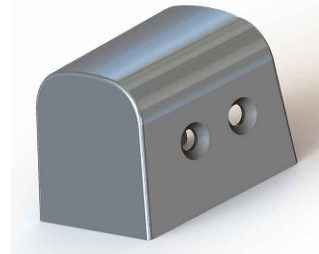
www.sealsdirect.co.uk

DESCRIPTION

ORDER CODE

SS END CAP FOR PFU 206, 207, 208

PFUE 209



NOTES:

1. SOLD INDIVIDUALLY
2. WEIGHT 115 GRAMS

MATERIAL (REFER TO OUR DATA SHEET FOR FULL TECHNICAL DATA)
STAINLESS STEEL

TOLERANCE
REFERENCE ONLY

ISSUE DATE
28.03.17

Seals + Direct Ltd

Unit 6, Milton Business Centre, Wick Drive, New Milton, Hants, BH25 6RH
Tel: 01425 617722 Fax: 01425 610967 E-mail: sales@sealsplusdirect.co.uk

Reg. No 4989100

SCALE
1:1

PROJECTION



DIMENSIONS IN MM

©SEALS + DIRECT LTD

This information and our technical advice, whether verbal, in writing or by way of trials, is given in good faith but without warranty. This also applies where proprietary rights are involved. Our advice does not release you from the obligations to check its validity and to test our products as to their suitability for the intended use. The storage, application and use of our products are beyond our control and, therefore, entirely your own responsibility. Our products are sold in accordance with our General Conditions of Sale. The information contained within this drawing is subject to change without notice.